



# Certificate of Compliance

**Certificate:** 80099468

**Master Contract:** 301533

**Project:** 80099468

**Date Issued:** 2022-06-07

**Issued To:** ISA Corporation  
3213 Whipple Road  
Union City, California, 94587  
United States

**Attention:** Tony Zante

*The products listed below are eligible to bear the CSA Mark shown with adjacent indicator 'US'*

**Issued by:** *Michael Hoffnagle*  
Michael Hoffnagle



## **PRODUCTS**

**CLASS - C531382 - POWER SUPPLIES** - PHOTOVOLTAICS-PV Racking and clamping systems -  
Certified to US Standards

Models:	WSS	- WSS Elevated Racking System, PV racking system for bonding and grounding of photovoltaic modules
	PSS	- PSS Elevated Racking System, PV racking system for bonding and grounding of photovoltaic modules
	FSS	- FSS Flush Mount Racking System, PV racking system for bonding and grounding of photovoltaic modules

The system listed is designed to provide bonding/grounding for PV modules mounted on the racking system. The modules are bonded to the racking system with top-down clamps using bonding washers to pierce anodization. Uses a certified grounding device for grounding system.



**Certificate:** 80099468  
**Project:** 80099468

**Master Contract:** 301533  
**Date Issued:** 2022-06-07

---

Racking system has been evaluated for bonding/grounding only. System is not mechanical load or fire rated.

The grounding of the system is intended to comply with the latest edition of the National Electrical Code, to include NEC 250 & 690 or in accordance with CSA C22.1, Safety Standard for Electrical Installations, Canadian Electrical Code, Part I. Local codes compliance is required, in addition to national codes. All grounding/bonding connections are to be torqued in accordance with the Installation Manual and the settings used during the certification testing for the current edition of the project report.

**Conditions of Acceptability:**

Installation is subject to acceptance of the local inspection authorities having jurisdiction. The certification of these products relates only to the methods of installation, bonding, and grounding as outlined in the Installation Manual for each product.

**APPLICABLE REQUIREMENTS**

UL 2703-1st Edition - Mounting Systems, Mounting Devices, Clamping/Retention Devices, and Ground Lugs for Use with Flat-Plate Photovoltaic Modules and Panels.

**MARKINGS**

The manufacturer is required to apply the following markings:

- Products shall be marked with the markings specified by the particular product standard.

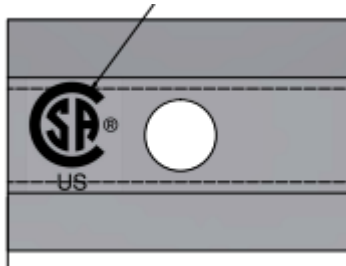
Additional bilingual markings not covered by the product standard(s) may be required by the Authorities Having Jurisdiction. It is the responsibility of the manufacturer to provide and apply these additional markings, where applicable, in accordance with the requirements of those authorities.


The following markings appear on the clamp component for CSA mark and other information on adhesive label applied on the rail:

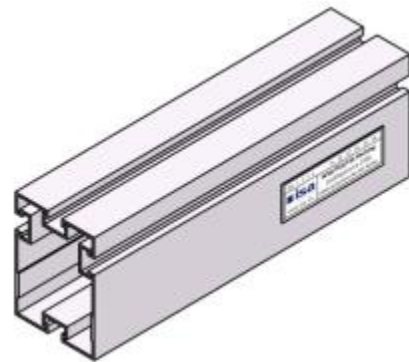
1. Submitter's name and/or CSA Master Contract number "301533".
2. Model designation.
3. Manufacturing date, year-quarter;
4. "Not Fire Rated"

**Certificate:** 80099468  
**Project:** 80099468

**Master Contract:** 301533  
**Date Issued:** 2022-06-07

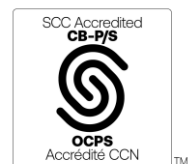


Qtr. 1	2	3	4	Yr. 22'	23'	24'	25'	26'
		<b>WSS/PSS/FSS Racking</b> Certified to UL 2703 All Metal Systems/No Fire Rating						
Union City, CA								



**Notes:**

Products certified under Class C531382 have been certified under CSA's ISO/IEC 17065 accreditation with the Standards Council of Canada (SCC). [www.scc.ca](http://www.scc.ca)





## *Supplement to Certificate of Compliance*

**Certificate:** 80099468

**Master Contract:** 301533

*The products listed, including the latest revision described below,  
are eligible to be marked in accordance with the referenced Certificate.*

### **Product Certification History**

---

<b>Project</b>	<b>Date</b>	<b>Description</b>
80099468	2022-06-07	Evaluation, testing, and certification of models WSS, PSS, and FSS. Solar Photovoltaic Mounting System for rooftop applications for CSAus. Will not be fire rated.