

2703 Certified

Racking Systems recommended for buildings:

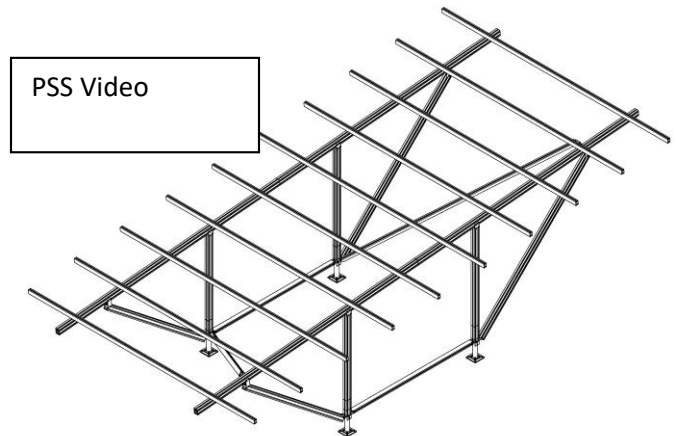
For Hotels/Apartments

- Generally have roof bearing central corridors
- Typically multiple AC units on roof
- Roof is typically supported by 2x style wood rafters



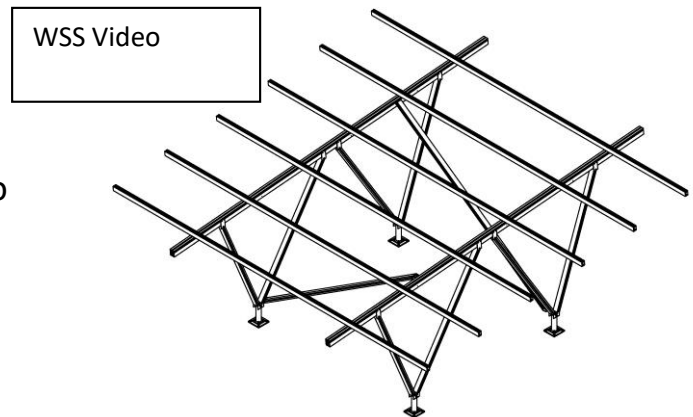
PSS Elevated Racking System

- Mounts to roof rafters near central corridor
- Elevated to mount directly over HVAC
- Spreaders typically distribute load to roof rafters (see attachment options)



WSS Elevated Racking System

- Elevated to mounts directly over HVAC
- Can be positioned over corridor or unit bearing walls
- Spreaders available to distribute load to roof rafters



2703 Certified

For Commercial/Industrial Buildings

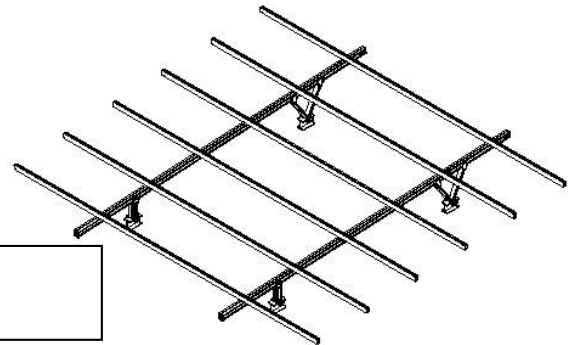
- Often Tilt-up wall Style
- Wood Sheathing roofs
- Widely spaced Trusses or Glulam Beams
- Concrete roofs are also common



FSS Low Mount Racking System

- Spans up to 25 feet to anchor to Trusses and Glulam Beams
- Very few posts/penetrations – a single post supports up to 10 modules
- Wide post bases available to space out concrete anchors

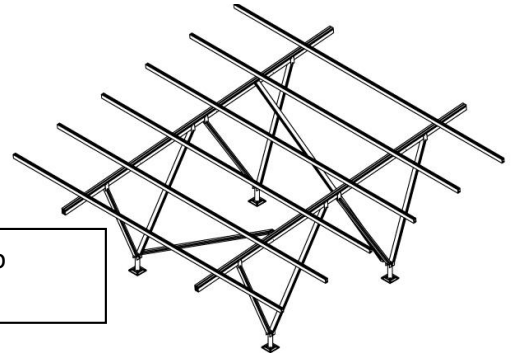
FSS Video



WSS Elevated Racking System

- Elevated to mount directly over HVAC
- Wide post bases available to space out concrete anchors
- Optional Reinforced WSS can span 20 feet

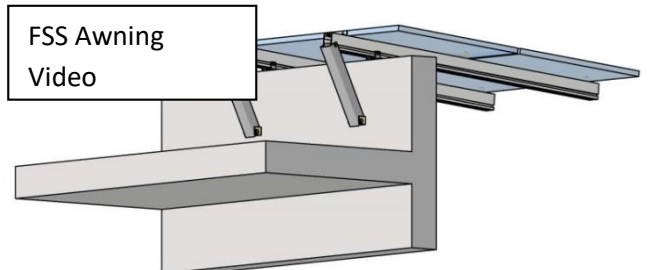
WSS Video



FSS Awning Mounted Racking System

- Mounts to Tilt-up Building Parapet Wall
- Mounts to External Walls
- No Penetrations of Roof

FSS Awning Video



2703 Certified

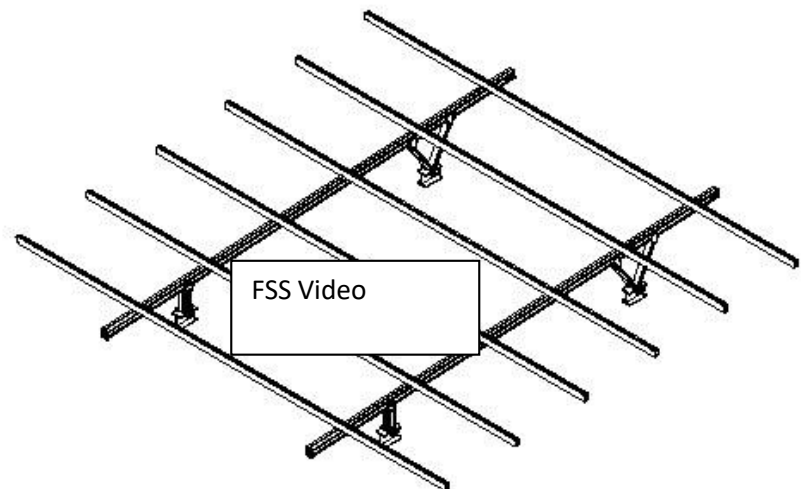
For Steel/Low Slope Buildings

- Typically Truss or I-Beam style or Girders
- 20 Ft or more Girder spacing
- Typically Low Slope, with little or No parapet wall



FSS Low Mount Racking

- Spans up to 25 feet to anchor to Trusses and I-Beams
- Very few posts/penetrations – a single post supports up to 10 modules
- Provides Low Profile to minimize visibility if desired
- Facilitates the use of SureClamp Anchor Posts to clamp directly to I-Beams
- Also facilitates use of SureGrip Anchor Posts to grip Truss upper chords



2703 Certified

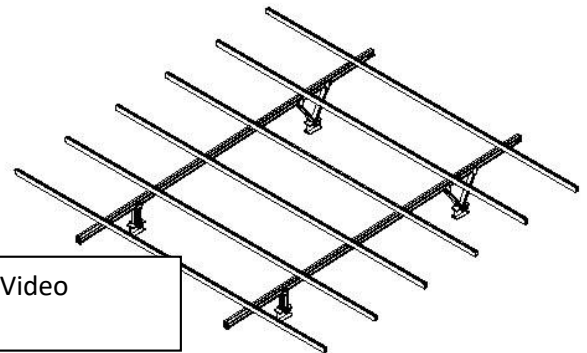
For Service Stations

- Canopy typically supported by I-beam/WF Girders
- Fire safety is critical.
- Low Profile Structure with minimal visibility above Fascia



FSS Low Mount Racking

- Clamps to Girders and Purlins – eliminates drilling beams to prevent fire hazard
- Provides Low Profile to minimize visibility if desired
- Facilitates the use of SureClamp Anchor Posts to clamp directly to I-Beams
- Also facilitates use of SureGrip Anchor Posts to grip Truss upper chords



FSS Video

WSS Elevated Racking System

- Applies mainly to Service Station Canopy with a high Fascia.
- Clamp Style bases are optional equipment for WSS

WSS Video

