

ISA's Main 4x3 Strut Rail is typically used in most rack mounted systems as the main supporting rail supporting the 3x2 panel rails. This rail is the main backbone of both the CSS and WSS elevated racking systems and also used in flush mounted systems. It is also used directly as a panel support rail for spans up to 18 feet.

Physical Characteristics:

Dimensions: 4" High x 3" Wide

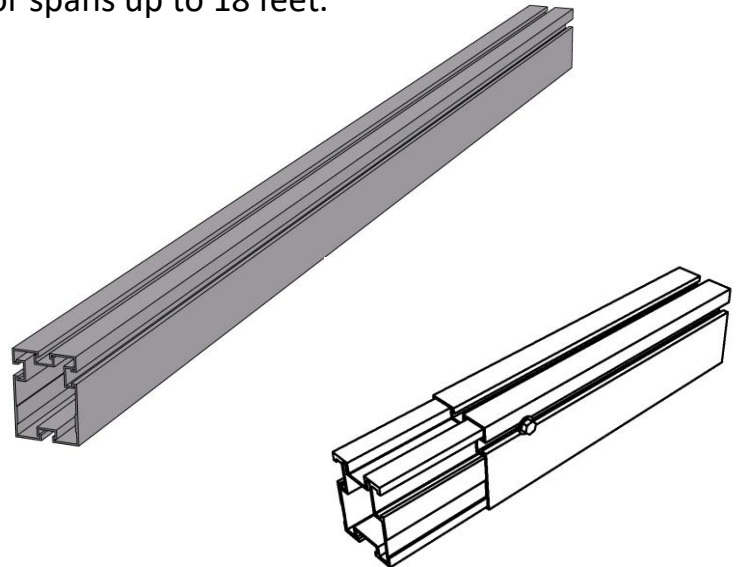
Weight: 1.94 Lbs/Ft.

Structural Characteristics:

$S_{yymin} = 1.52 \text{ in}^3$ $I_{yymin} = 2.27 \text{ in}^4$ $r_{yymin} = 1.21 \text{ in}$

$S_{zzmin} = 1.67 \text{ in}^3$ $I_{zzmin} = 3.51 \text{ in}^4$ $r_{zzmin} = 1.46 \text{ in}$

$A_g = 1.65 \text{ in}^2$ $A_e = 1.65 \text{ in}^2$

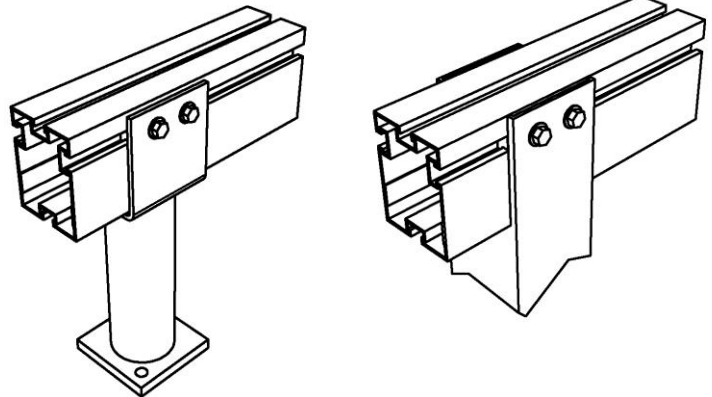


Material:

-Extruded Aluminum, 6061-T6/6005-T6

Support Span Capacity:

Up to 18 Ft. – Dependent on load conditions



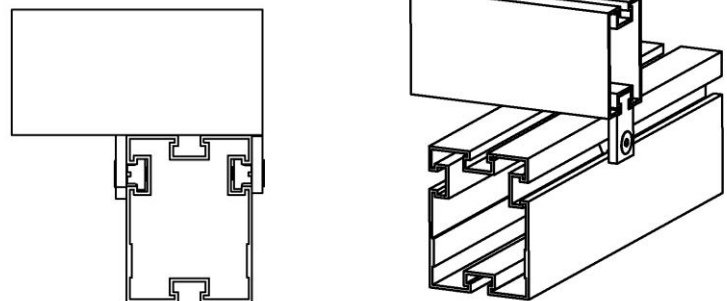
Roof Attachment Methods:

Post with U Bracket

Post with Vertical Strut Member

Panel Rail Attachment:

Cleat Connection



Bracing Attachment:

Channel Bracket with Nut Bar

Channel Rail with Nut Bar

Warranty:

20 Years