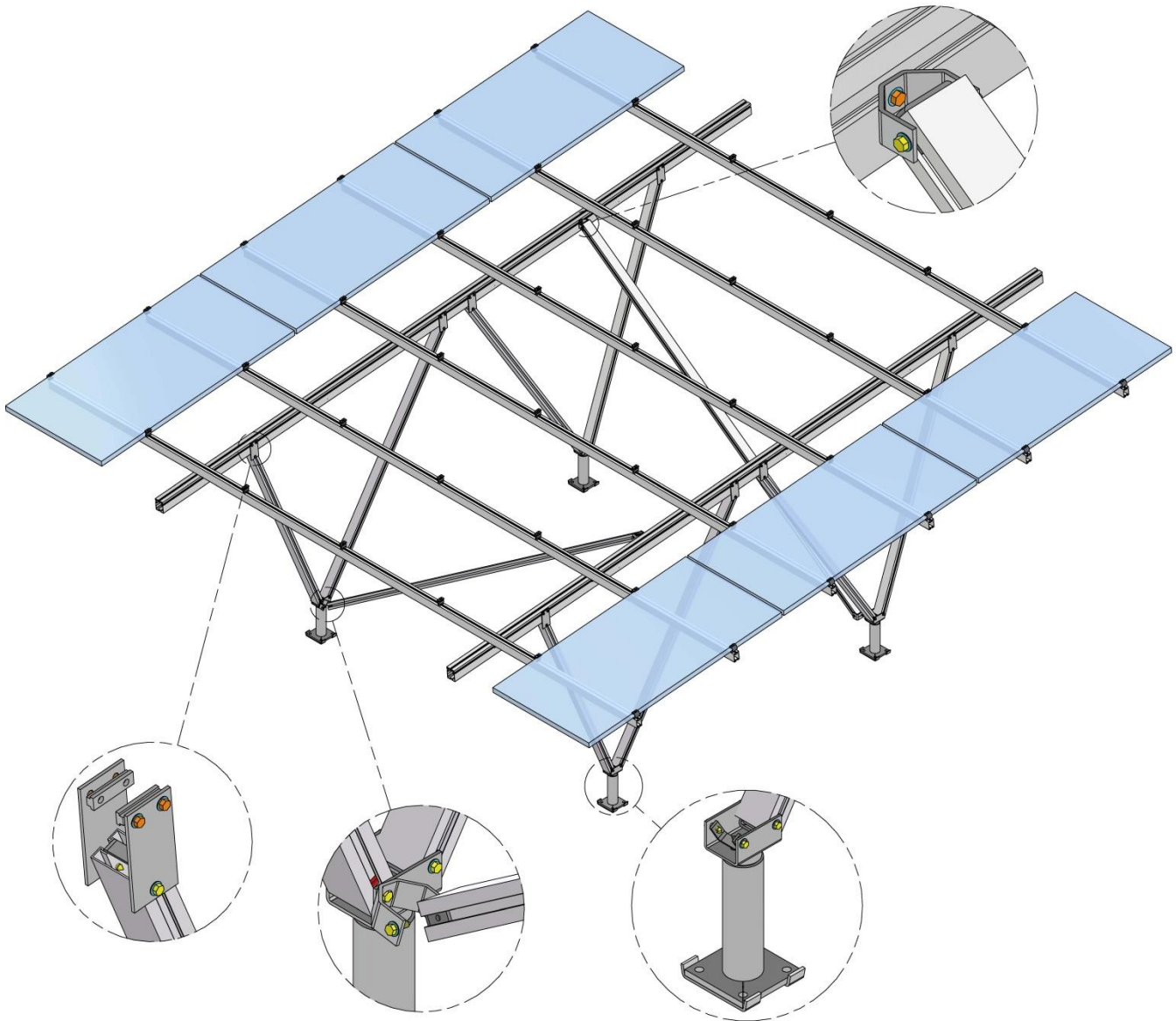


## Solar Mounting Systems

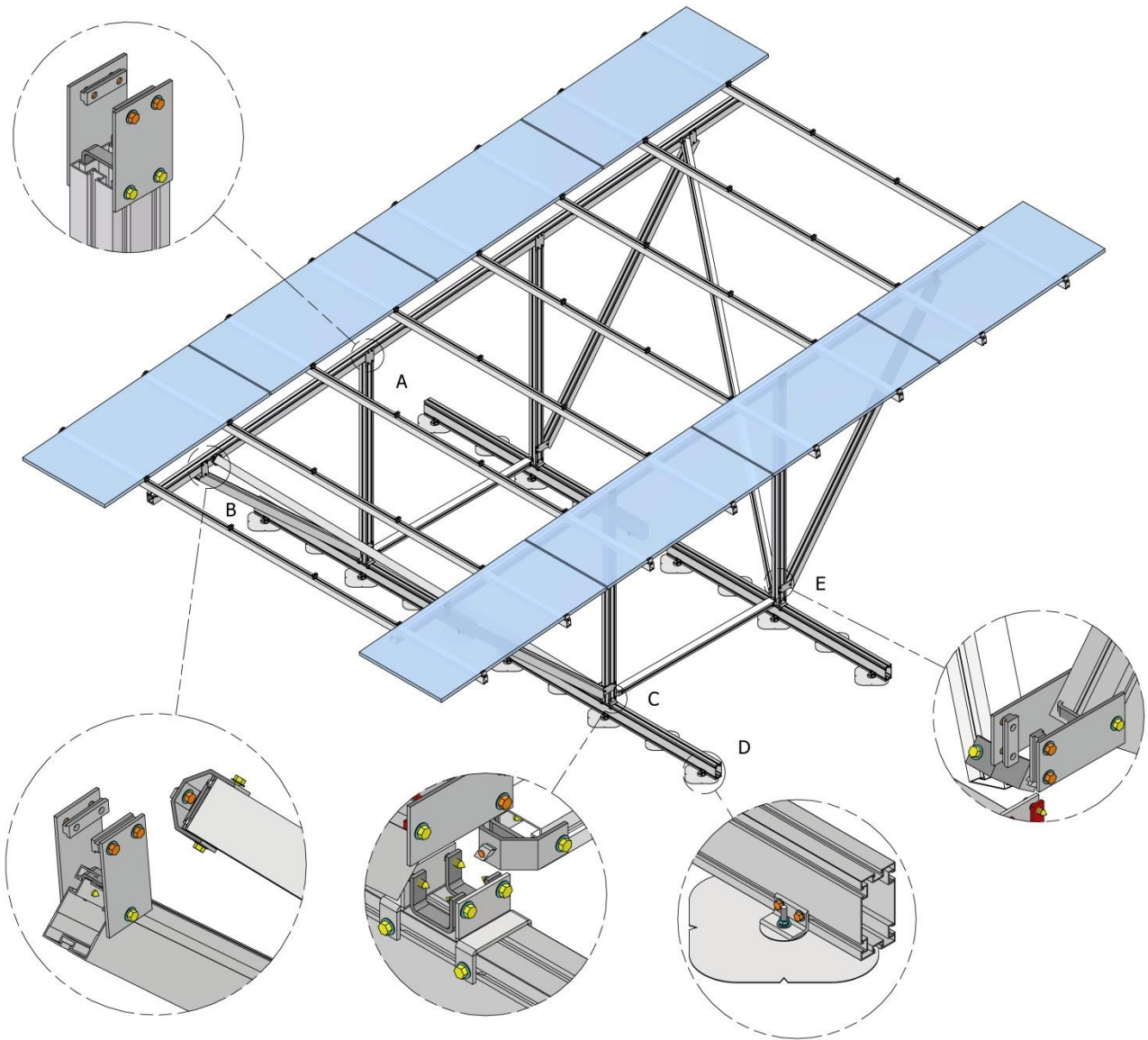
### WSS System

ISA's WSS System is a great elevated solution for commercial roofs. Connection details can be seen below. Please refer to the WSS Installation Manual for the assembly details.



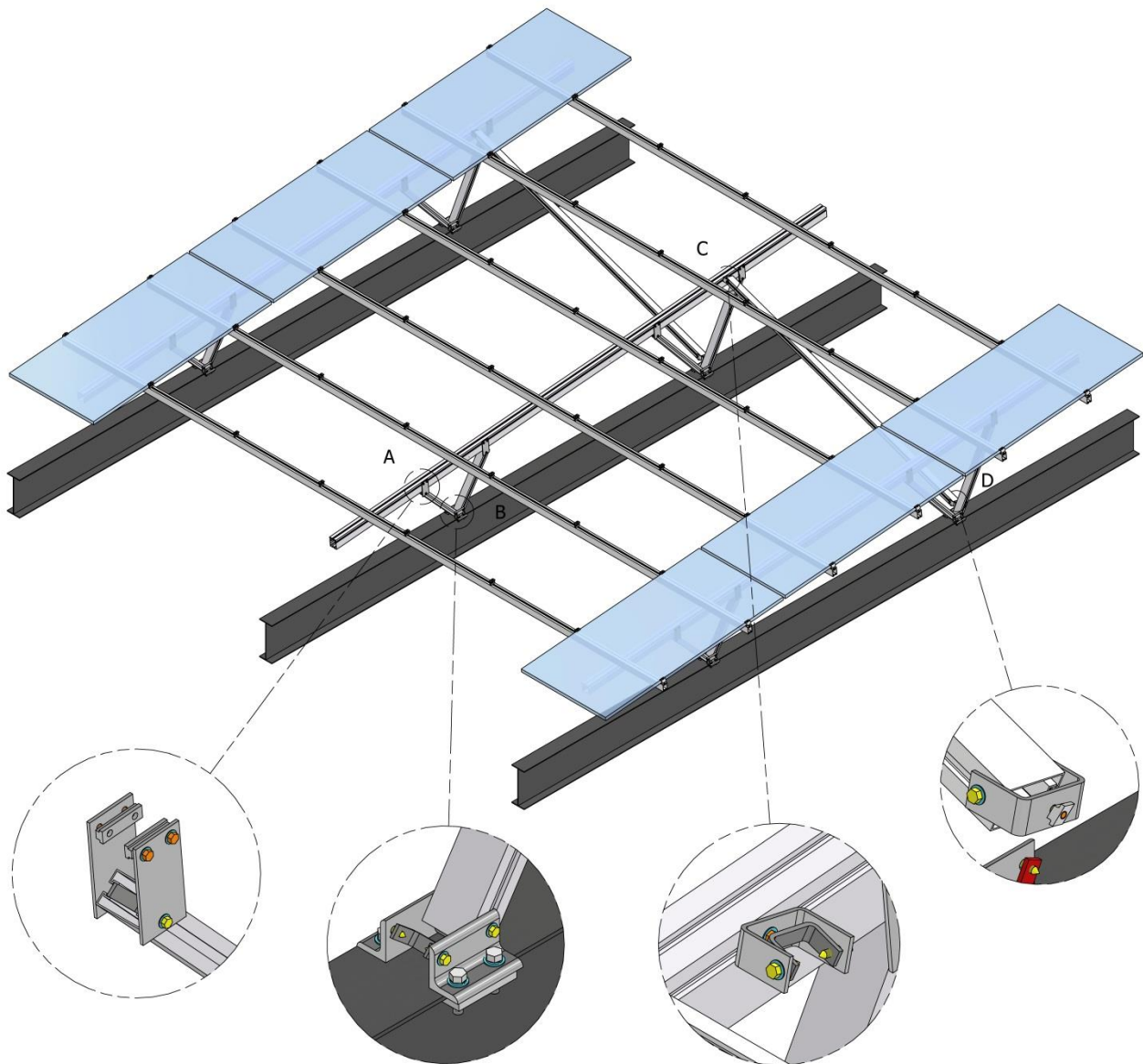
## PSS System

ISA's PSS System is a great elevated solution for dorms and apartment complexes. Connection details can be seen below. Please refer to the PSS Installation Manual for the assembly details.



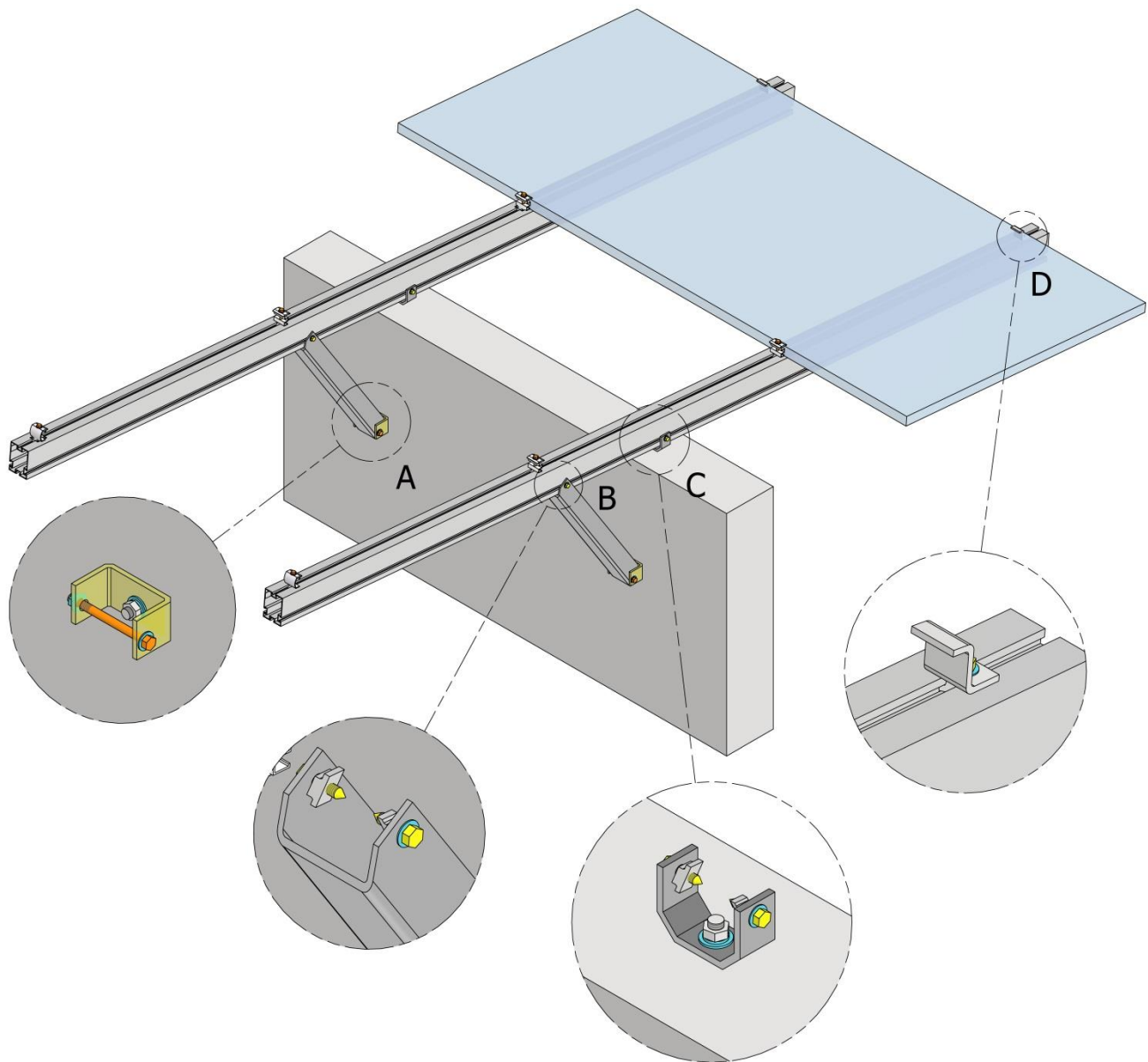
## FSS System

ISA's FSS System is a great low profile solution for service station canopies and commercial roofs. Connection details can be seen below. Please refer to the FSS Installation Manual for the assembly details.



## FSS Awning Racking System

ISA's FSS Awning Racking System is a great solution for those looking to attach to parapet walls. Connection details can be seen below. Please refer to the FSS Installation Manual for the assembly details.



## Solar Mounting System Components

### ISA Rails

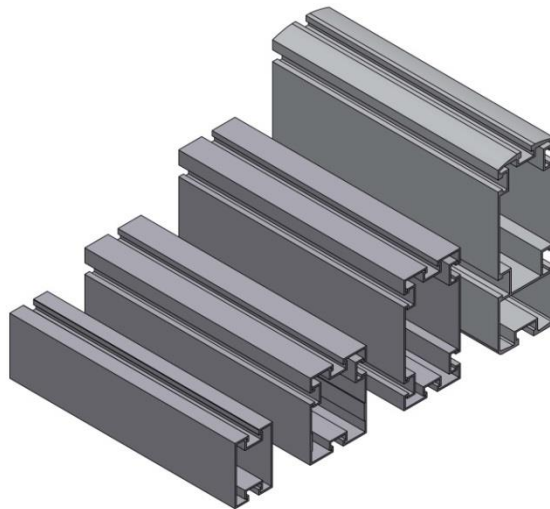
The Solar Mounting Components are designed to anchor and mount to the four ISA Rails:

**3x2 Rail – Supports modules and provides frame bracing**

**4x3 Rail – Main Rail – to support 3x2 Module Rails**

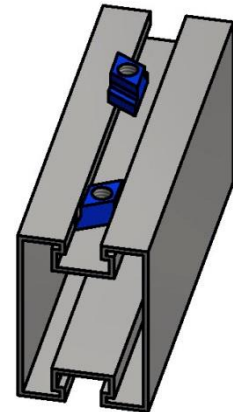
**6x3 Rail – Higher capacity Main Rail and Sleeper Rail**

**9x3 Rail – Highest capacity Main Rail for bridging long spans**



### AN31 Angle Nut

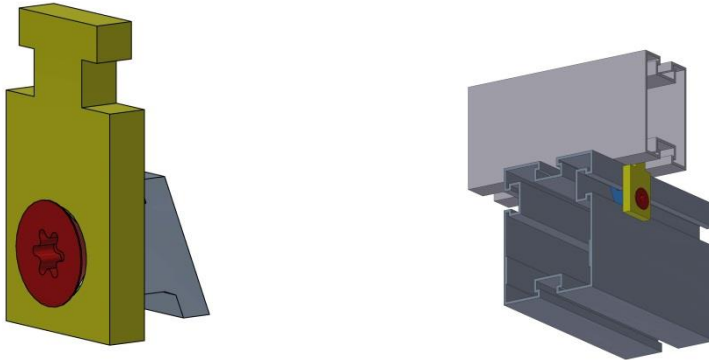
ISA's patented 1/6 turn Angle Nut provides secure fastening on all strut systems. It drops in anywhere without the need to move modules. When combined with the C-Clip and Waffle Clip it provides a mar-free module connection.



## Strut to Strut Cleat

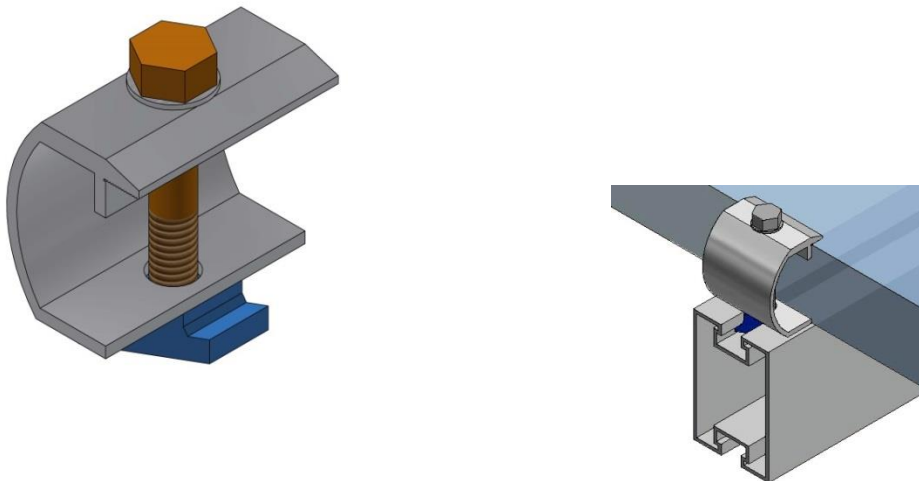
Anchors module rails to main support rails with Cleat, AN31 Angle Nut, and Lobed Flathead Screw.

One on each side of main rail assures no beam slippage after tightening.



## C-Clip

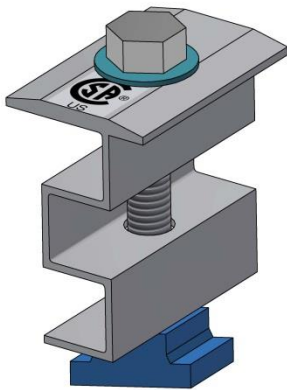
The C-Clip Kit provides a secure end clip solution that flexes to assure good grip without marring the modules. Its flexibility allows for slight variations in module height for more secure fastening.



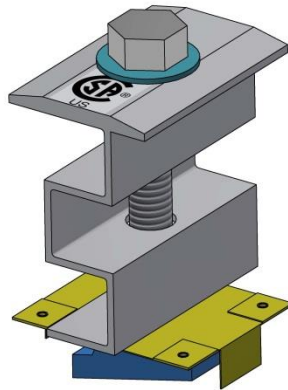
## Waffle Clip

The CW Waffle Clip Kit provides a mid-clip solution to minimize concentrated loads on the module frames. It can be supplied with grounding WEEBs to meet UL2703 requirements.

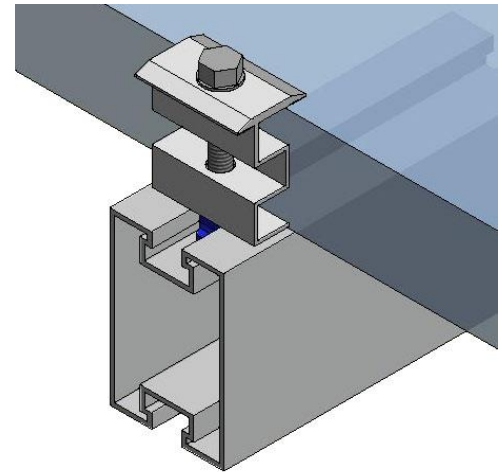
The Waffle Clip has been developed to lightly tighten the clamp on one module to hold it using the 'open' side, and retrieve the next module - without the first module slipping.



Waffle Clip Kit



Waffle Clip Kit  
with Grounding  
WEEB



## UL 2703 Grounding

ISA's grounding kit provides module rail grounding to satisfy UL 2703 requirements. A combination of the IlSCO 1/0 grounding lug and ISA's piercing screw and AN31 Angle Nut provides a simple in-slot mounting/grounding process.

