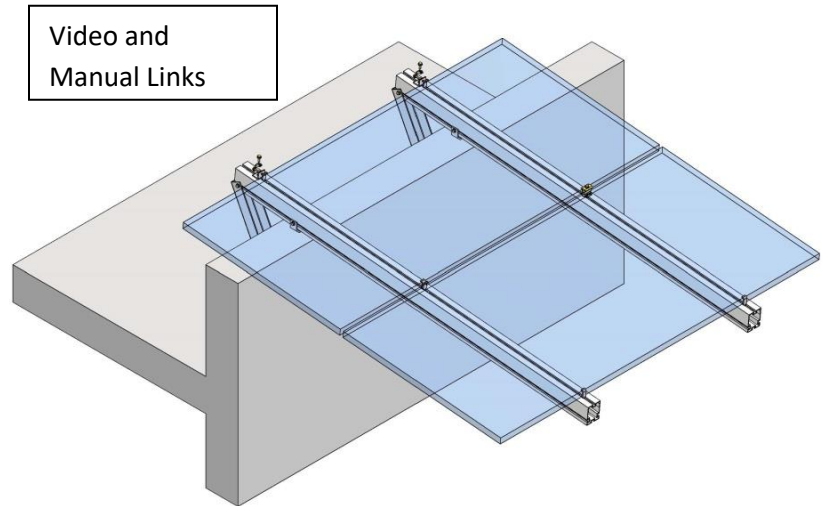


## FSS Awning Racking – ‘Extends’ Energy Production

### FSS Awning Mounted System

#### Now a Simple, Safe Process

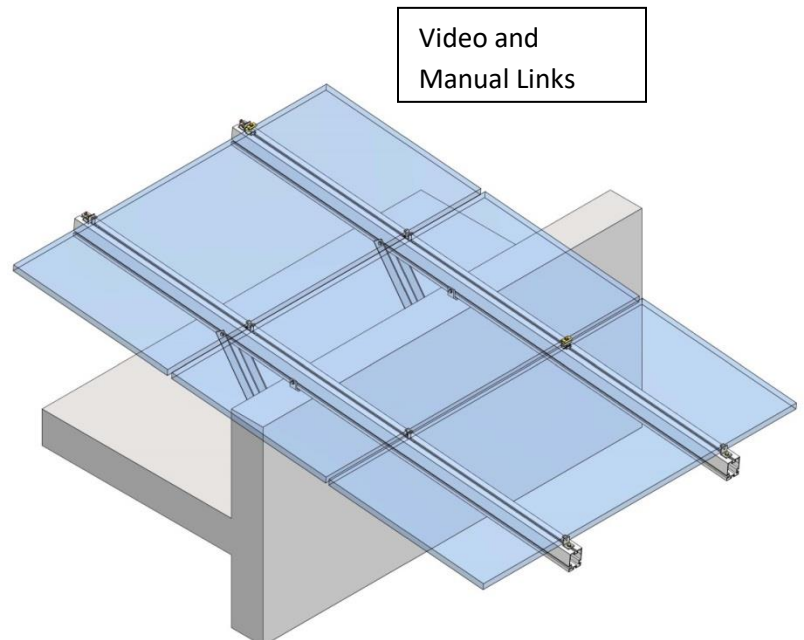
- **Installs Safely - working from rooftop**
- **No Roof penetrations to seal up**
- **Maximizes Solar on Roof**
- **Tilt is adjustable on Site**
- **Gets rid of structural Load on Roof**
- **Only 2 Anchor Bolts per module**



*2703 Certified  
USA Manufactured*

### FSS Awning System Technical Specifications:

- Tilt Angle – +/- 10 Degrees (Standard)
- Available in 2 or 3 modules in landscape
- Materials: 6000 Series Aluminum with 300 Series Stainless Fasteners.
- Weight: 1 Lb. per square foot
- Anchor : 3/8 or 1/2x3-1/2” Embed (2 embeds per Frame)
- Warranty: 20 Years



## Getting Started

### Simple Steps to get going:

#### Customer Input:

- Size of the array, kW – or Helioscope
- Roof Size - or provide address
- Desired Tilt and Elevation

#### For Proposal - ISA Provides – at No Cost:

- **3D Layout of solar array shown on roof**
- Roof mounting details – roof posts and locations
- Roof Loading Estimate

#### For Permitting - ISA provides:

- Mechanical Drawings of Racking and Mounting Details Suitable for Permitting – at No Cost
- Stamped Structural Analysis – for permitting

#### Upon Ordering - ISA provides at No Cost:

- System Kit with Instruction Manual for project Engineering and Tech Support