

ISA's Main 4x3 Strut Rail is typically used in most rack mounted systems as the main supporting rail supporting the 3x2 panel rails. This rail is the main backbone of both the CSS and WSS elevated racking systems and also used in flush mounted systems. It is also used directly as a panel support rail for spans up to 18 feet.

Physical Characteristics:

Dimensions: 4" High x 3" Wide

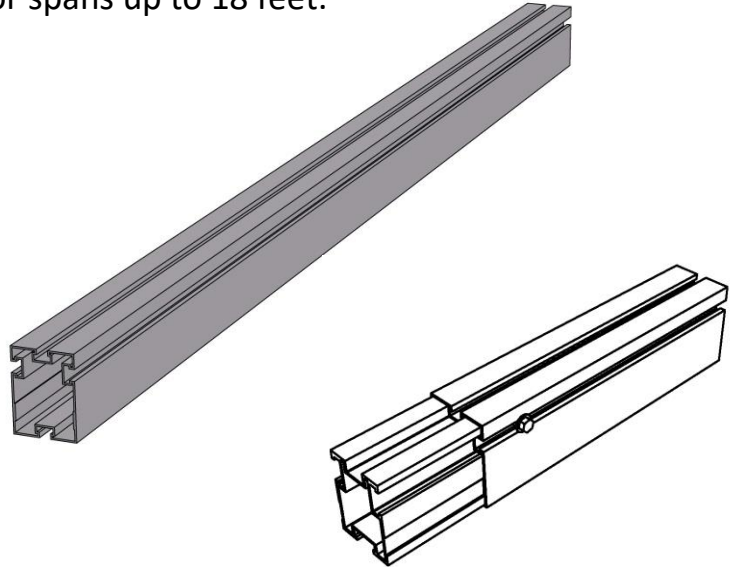
Weight: 1.94 Lbs/Ft.

Structural Characteristics:

$$S_{yymin} = 1.52 \text{ in}^3 \quad I_{yymin} = 2.27 \text{ in}^4 \quad r_{yymin} = 1.21 \text{ in}$$

$$S_{zzmin} = 1.67 \text{ in}^3 \quad I_{zzmin} = 3.51 \text{ in}^4 \quad r_{zzmin} = 1.46 \text{ in}$$

$$A_g = 1.65 \text{ in}^2 \quad A_e = 1.65 \text{ in}^2$$



Material:

-Extruded Aluminum, 6061-T6/6005-T6

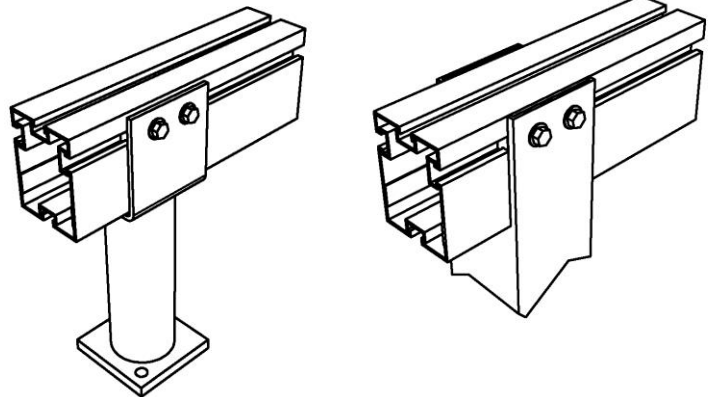
Support Span Capacity:

Up to 18 Ft. – Dependent on load conditions

Roof Attachment Methods:

Post with U Bracket

Post with Vertical Strut Member



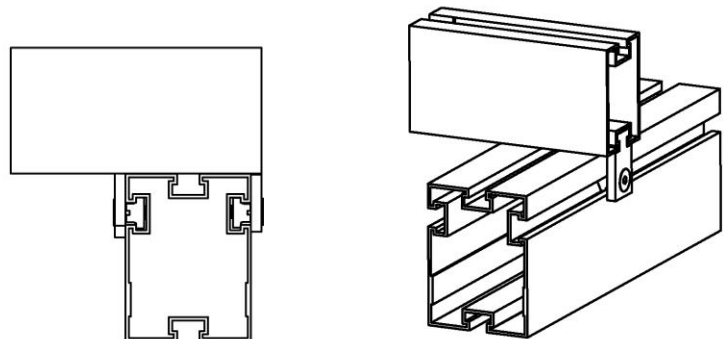
Panel Rail Attachment:

Cleat Connection

Bracing Attachment:

Channel Bracket with Nut Bar

Channel Rail with Nut Bar



Warranty: 20 Years

Manufactured: USA