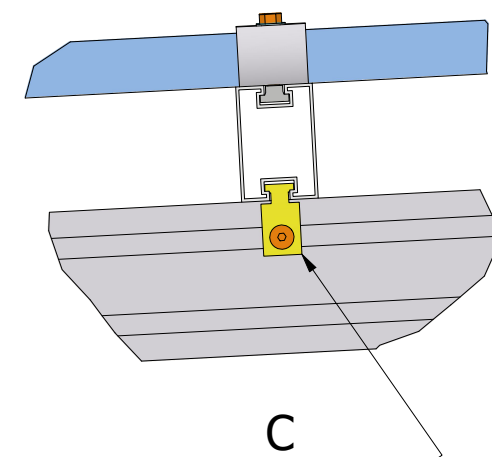
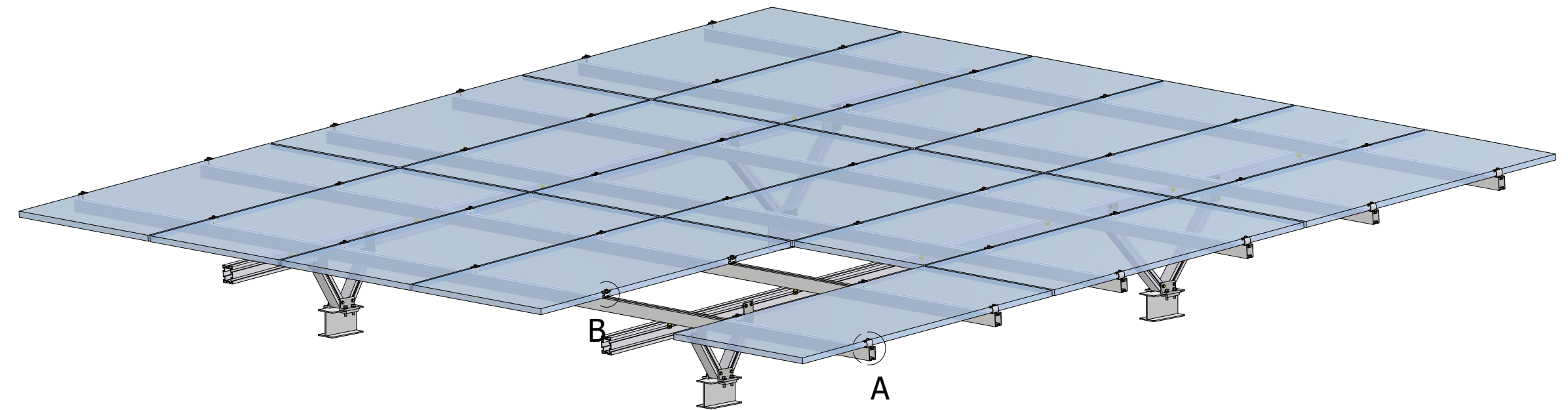
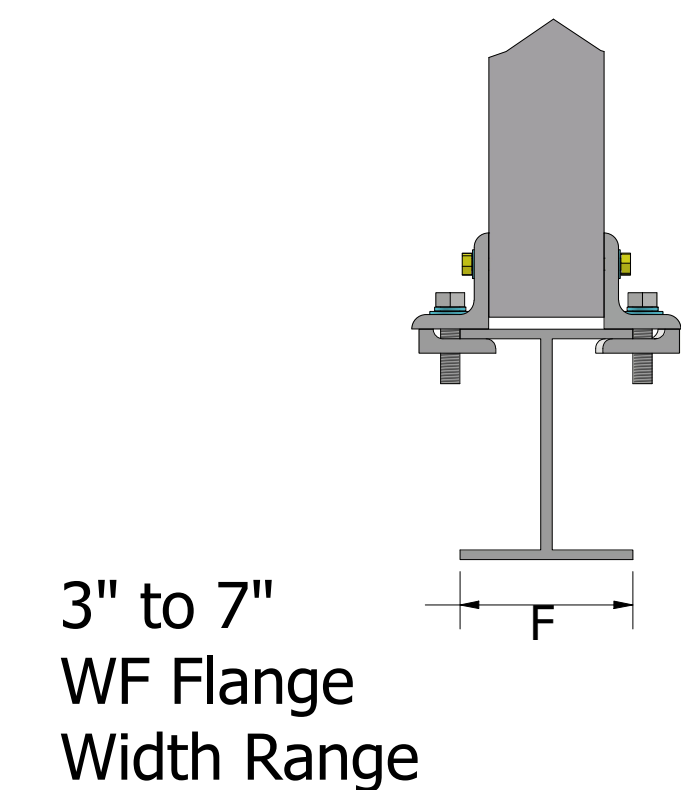
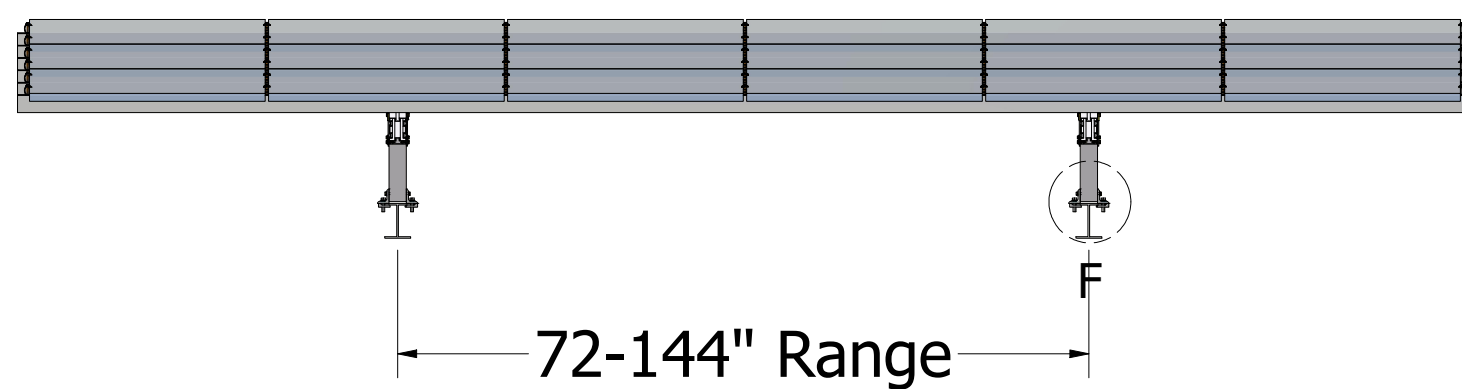
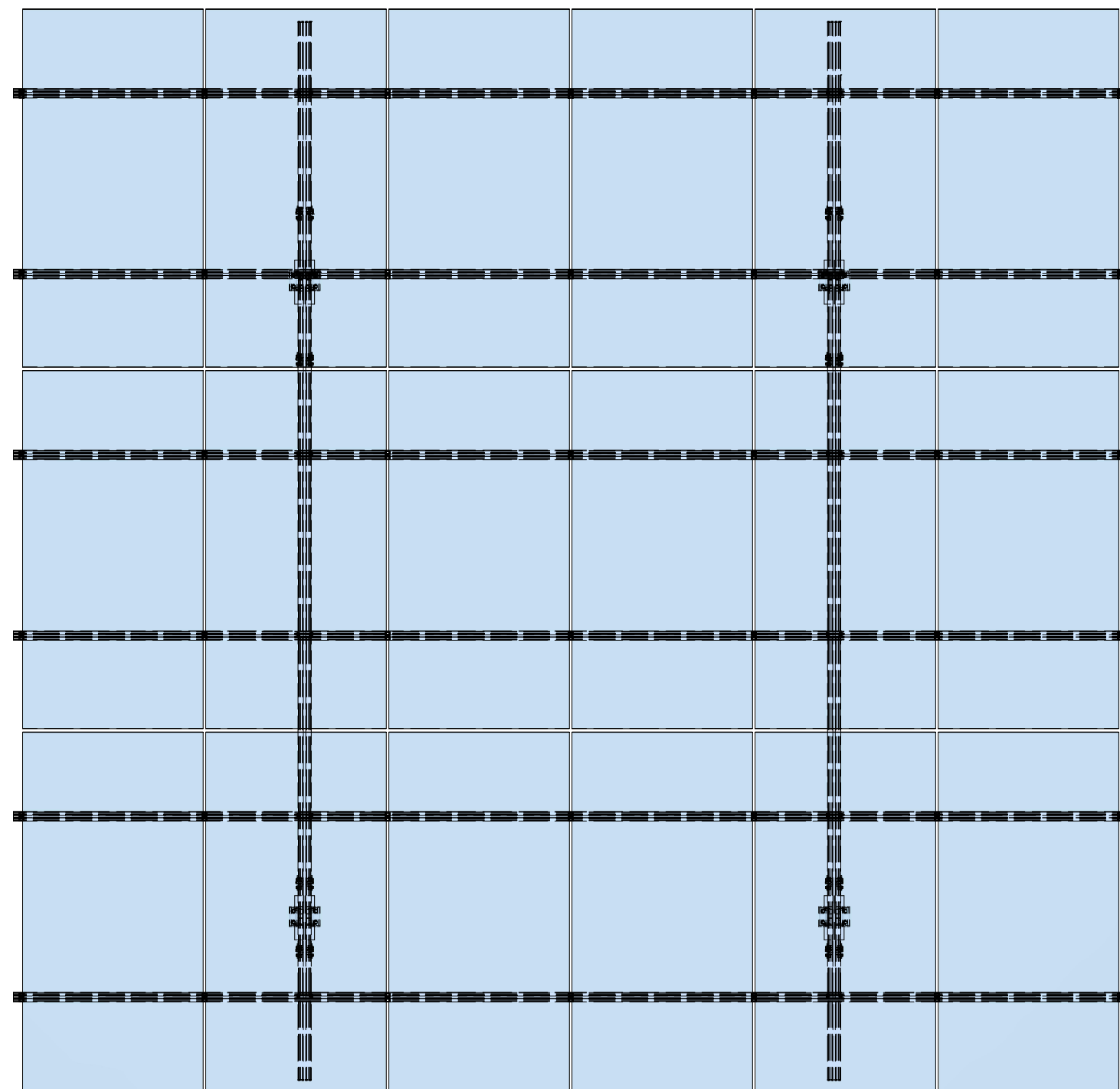
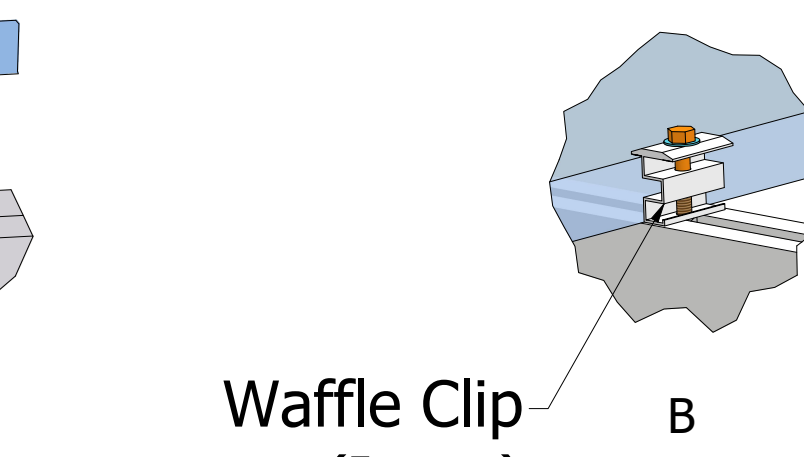


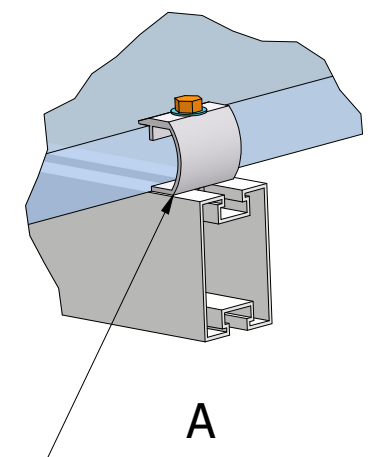
FSS Flush Mounted System



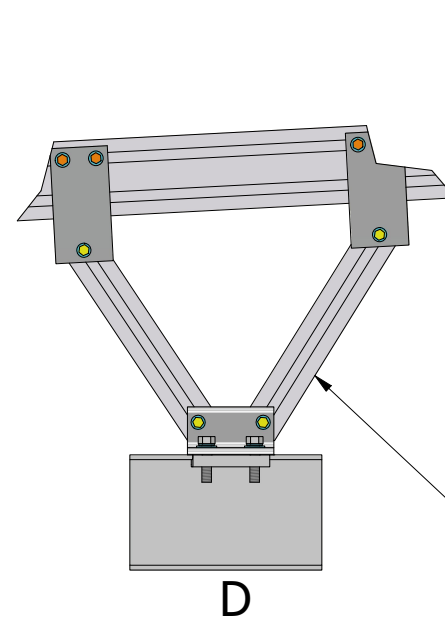
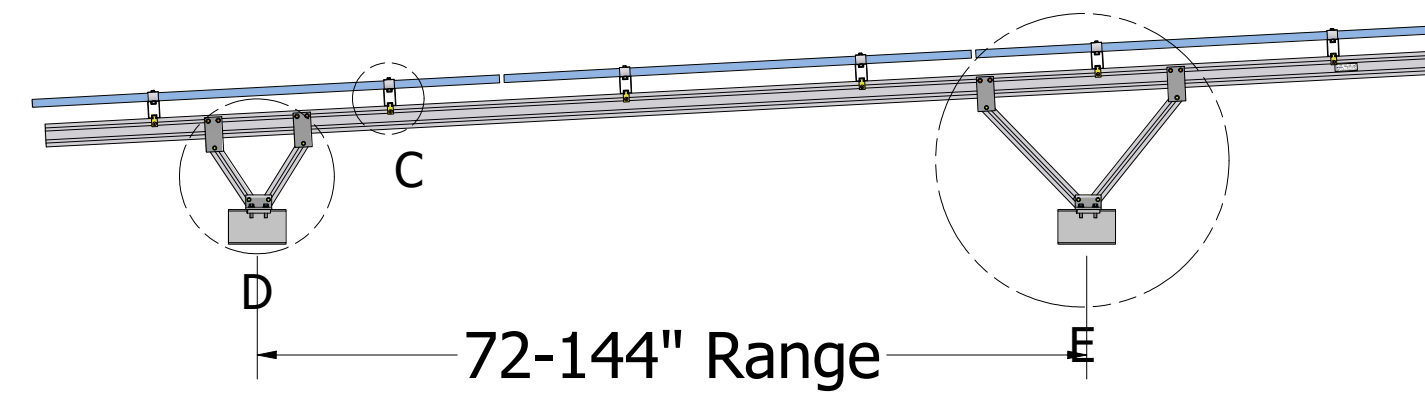
Rail Anchor Cleat



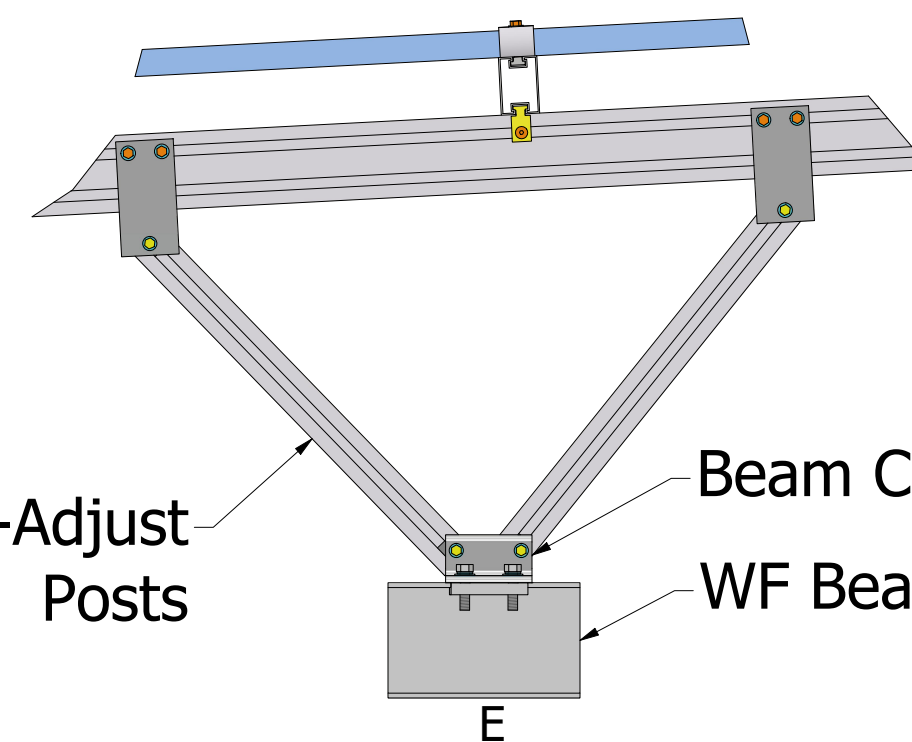
Waffle Clip (Inner) Grounding Option



C-Clip (Outer)



Tilt/Height-Adjust Posts



Beam Clamp Assy.
WF Beam (Ref.)