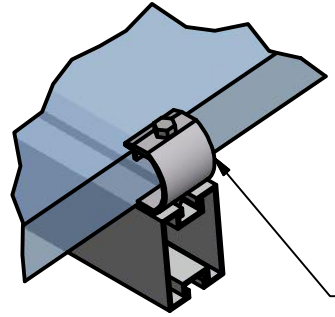
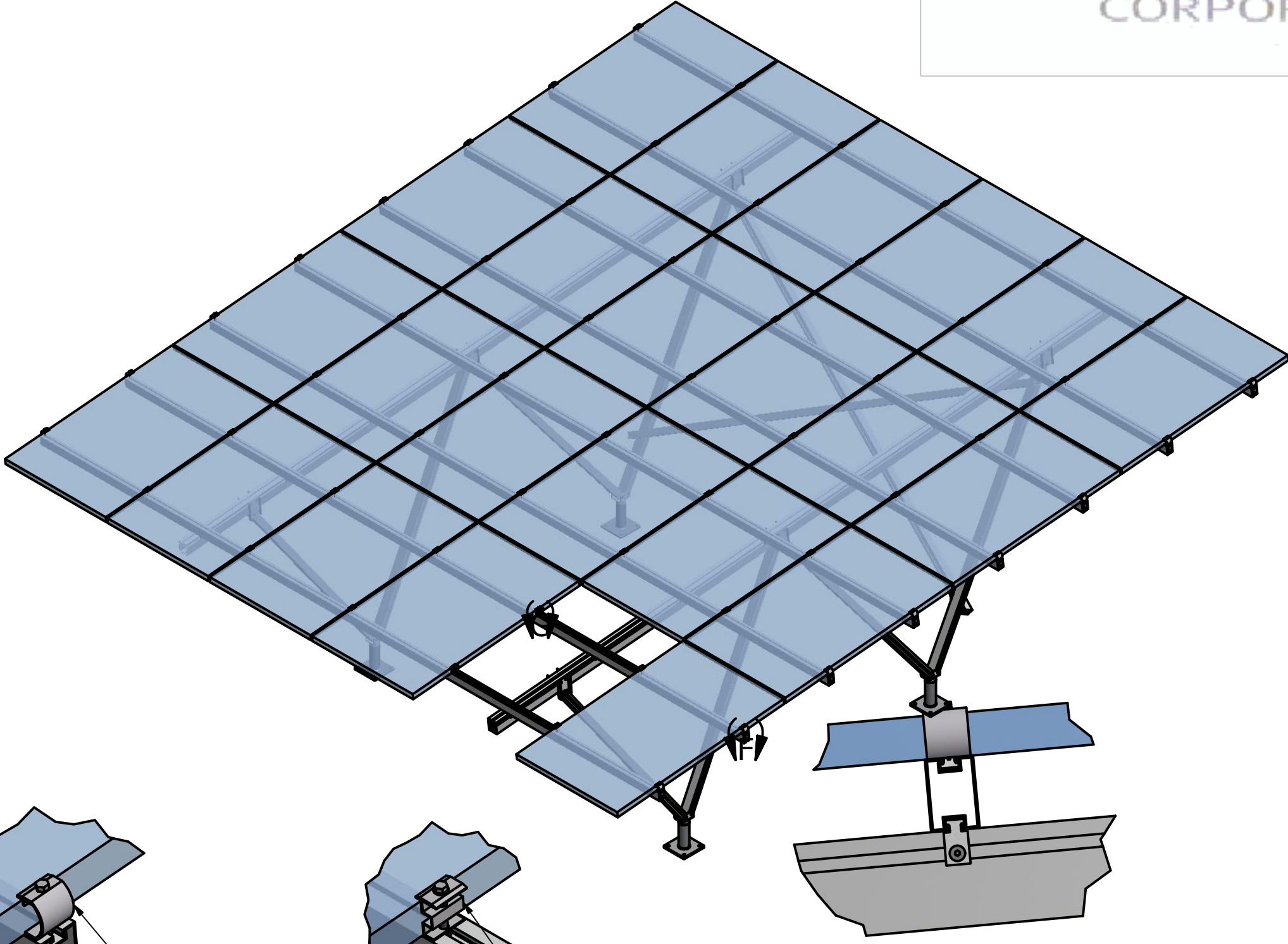
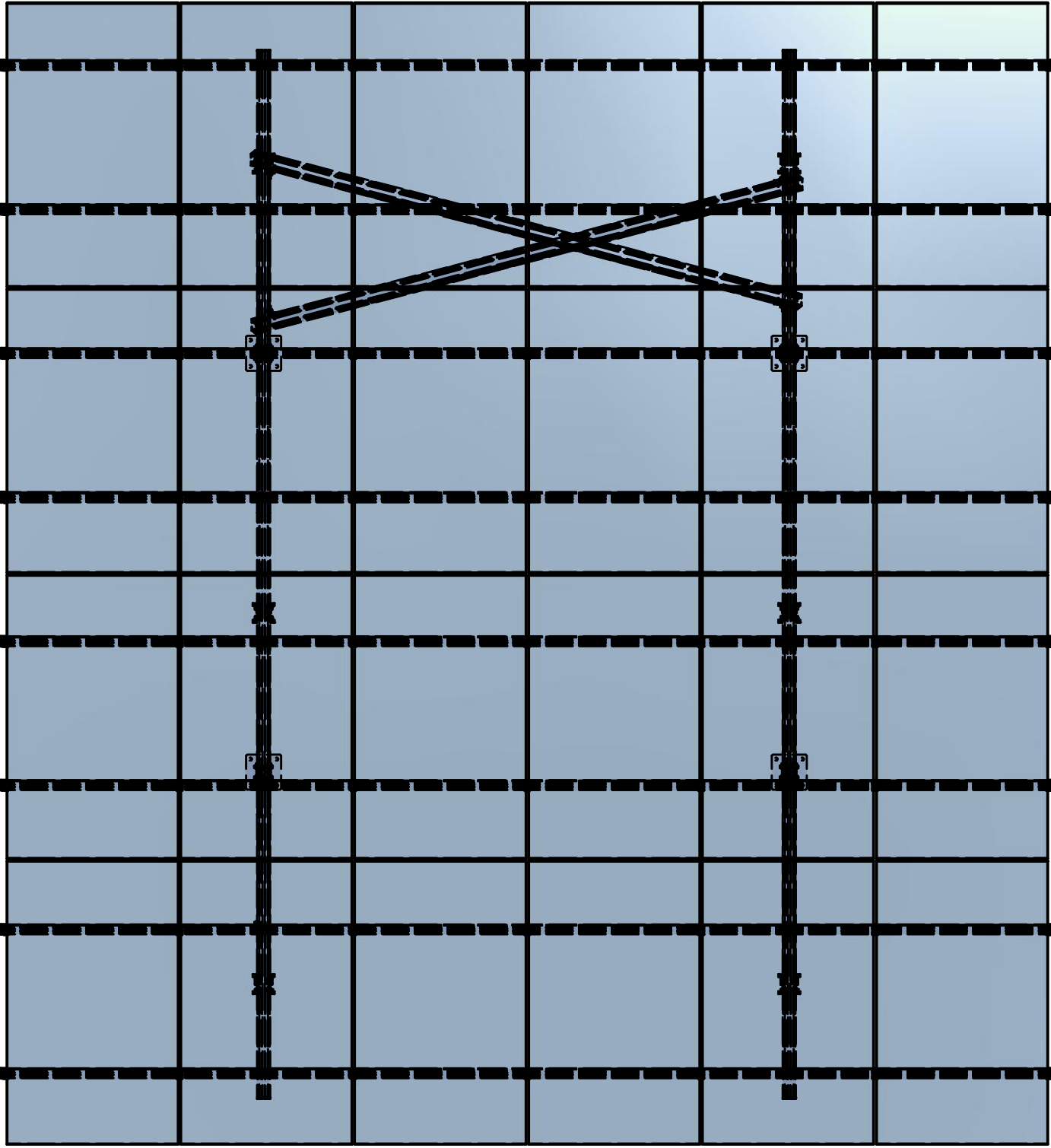
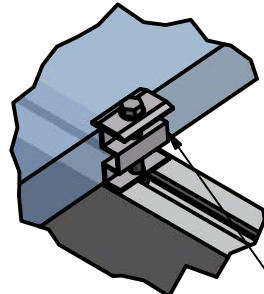


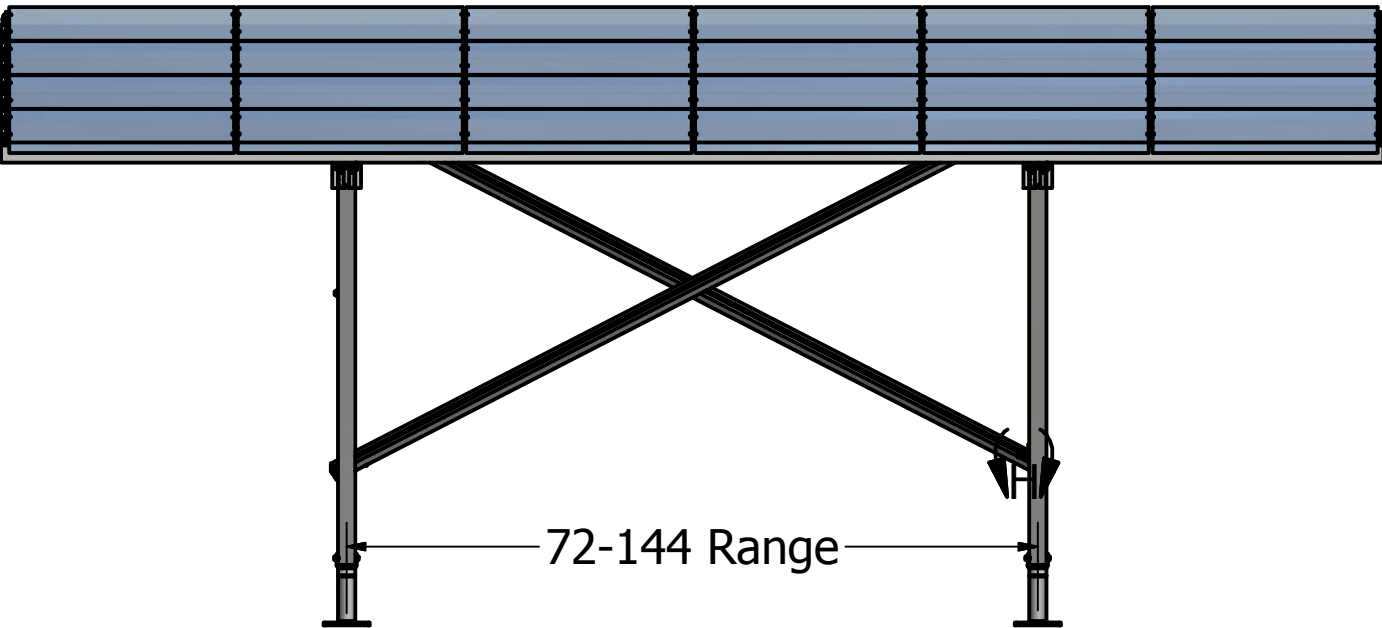
# WSS-24 Trellis Rack



C-Clamp (outer)

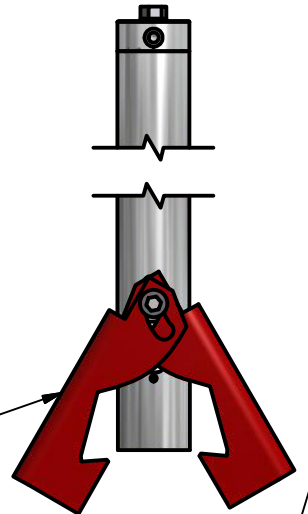


Waffle Clamp (Inner)



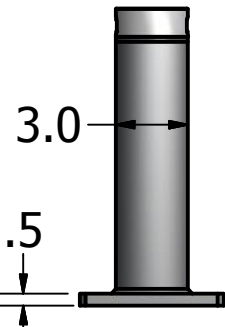
72-144 Range

Wide Flange Beam Clamp



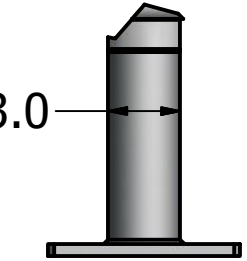
Clamps up to 36" WF Beams

Concrete & Glulam Clamp

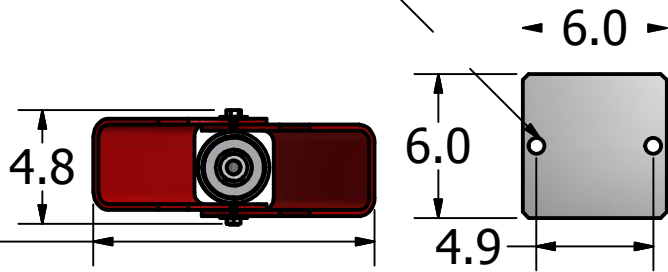


1/2" Hilti Anchors or 5/8" Lag Bolts

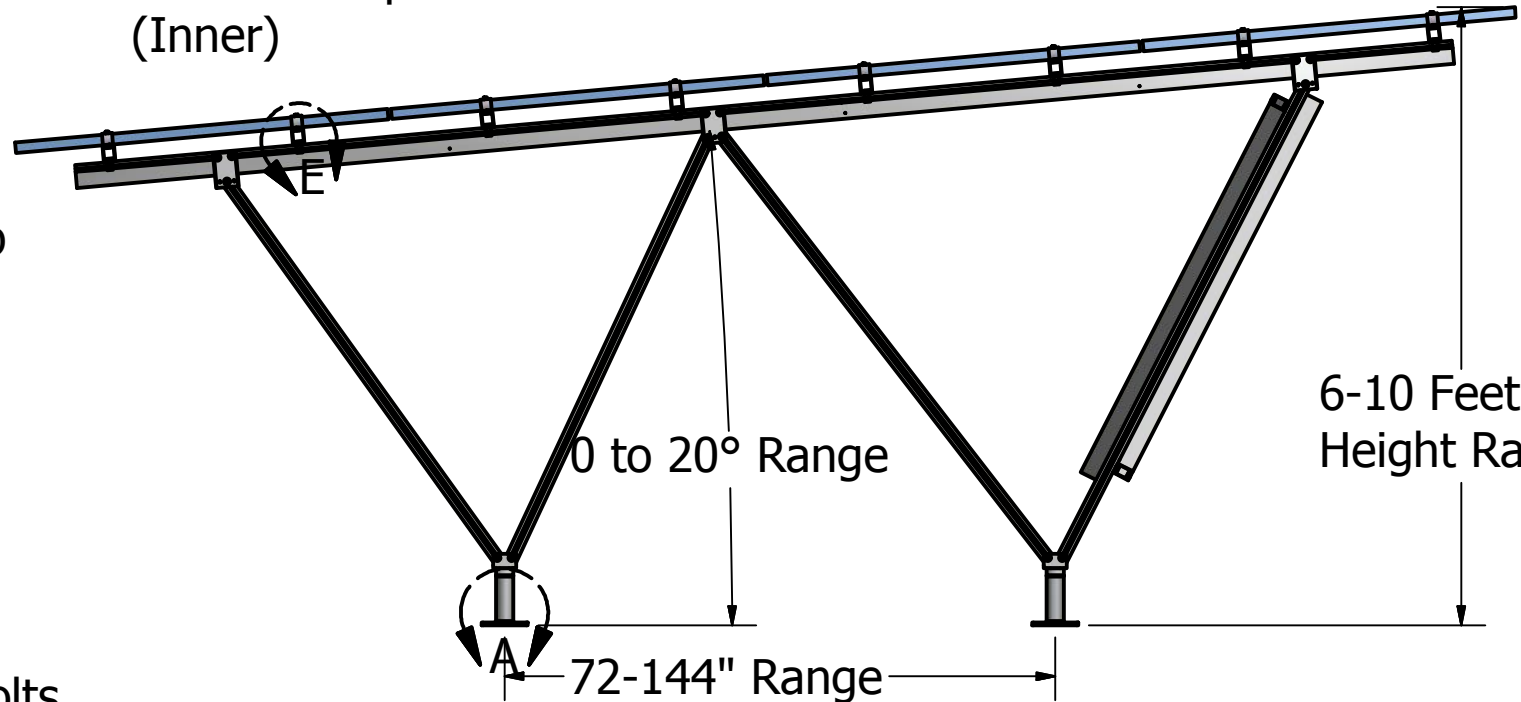
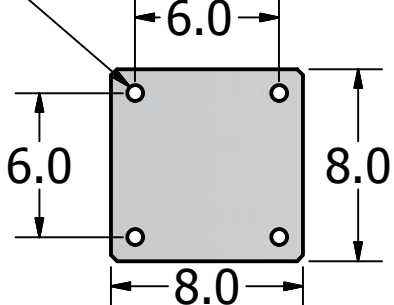
Open Web Joist Clamp



3/8-1/2" Bolts or Toggle Clamps



4.5" When Closed For Roof Insertion



0 to 20° Range

72-144" Range

6-10 Feet Height Range

**ISA Corporation**  
**3213 Whipple Drive**  
**Union City, CA 94587**  
**Tel: 510-324-3755**  
**Fax: 510-324-3701**  
**Email: info@isa-corporation.com**  
**Website: www.isa-corporation.com**