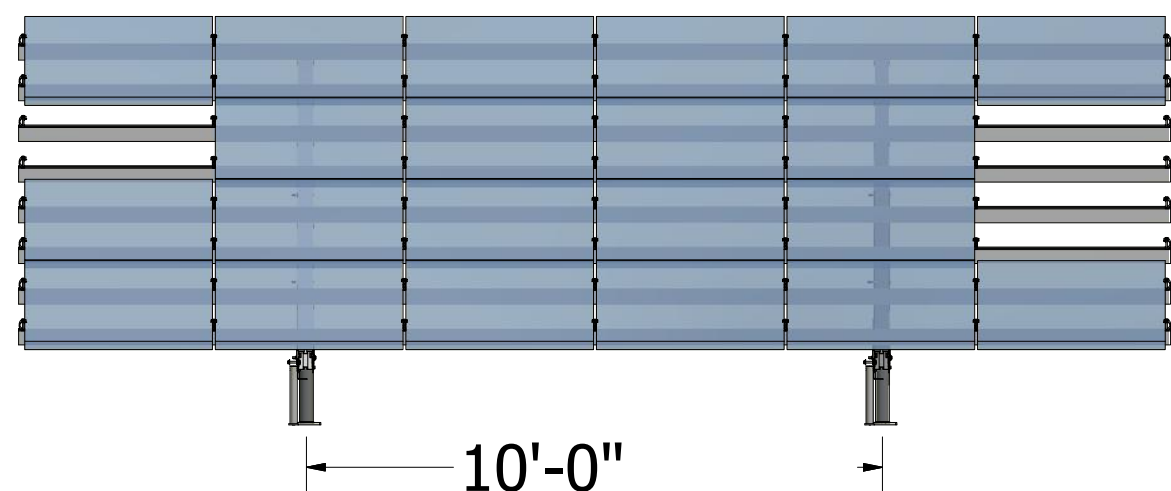
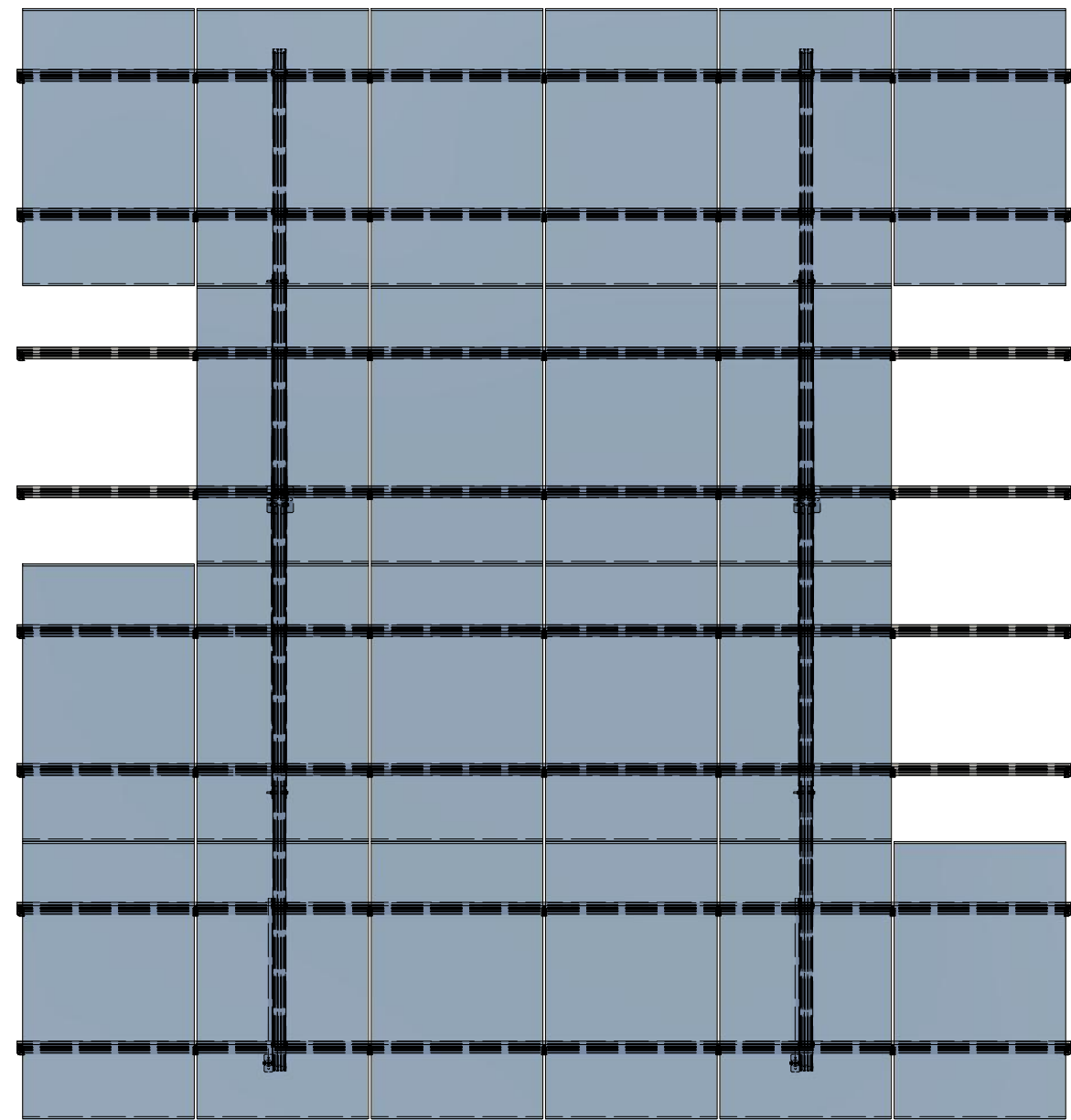
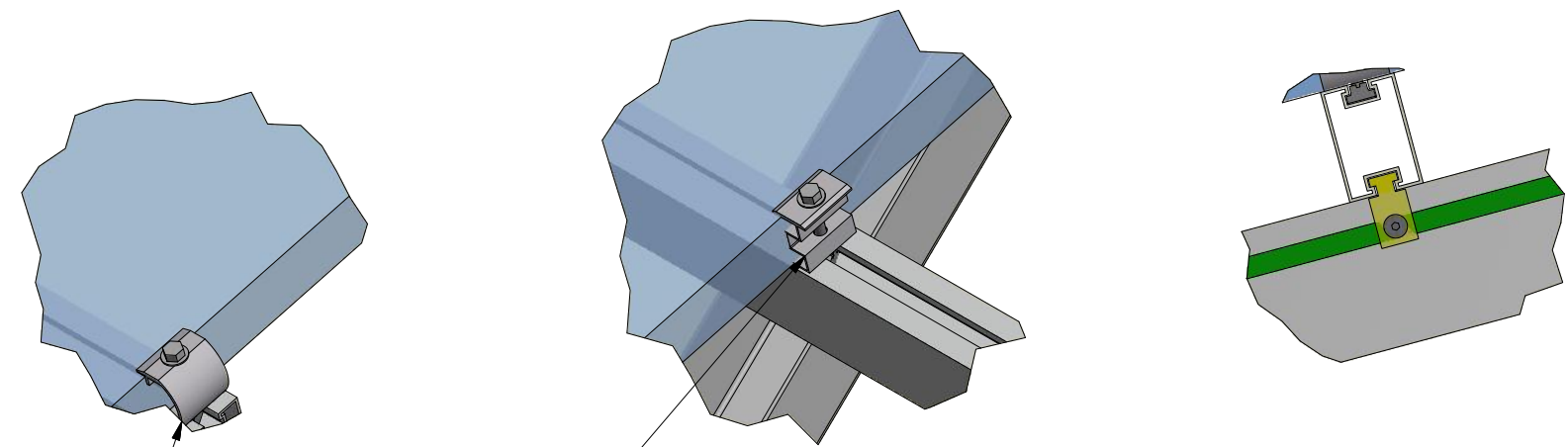
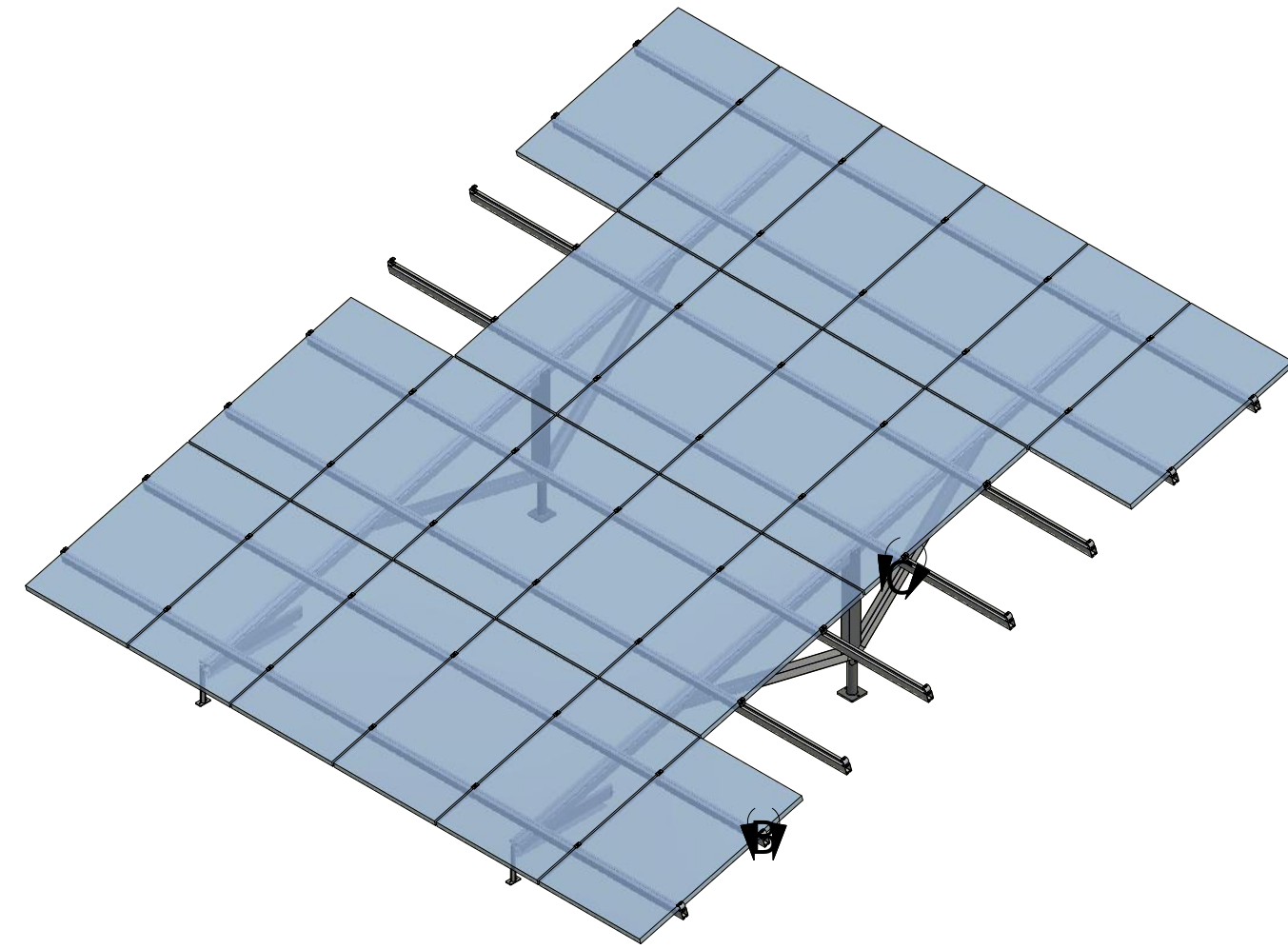


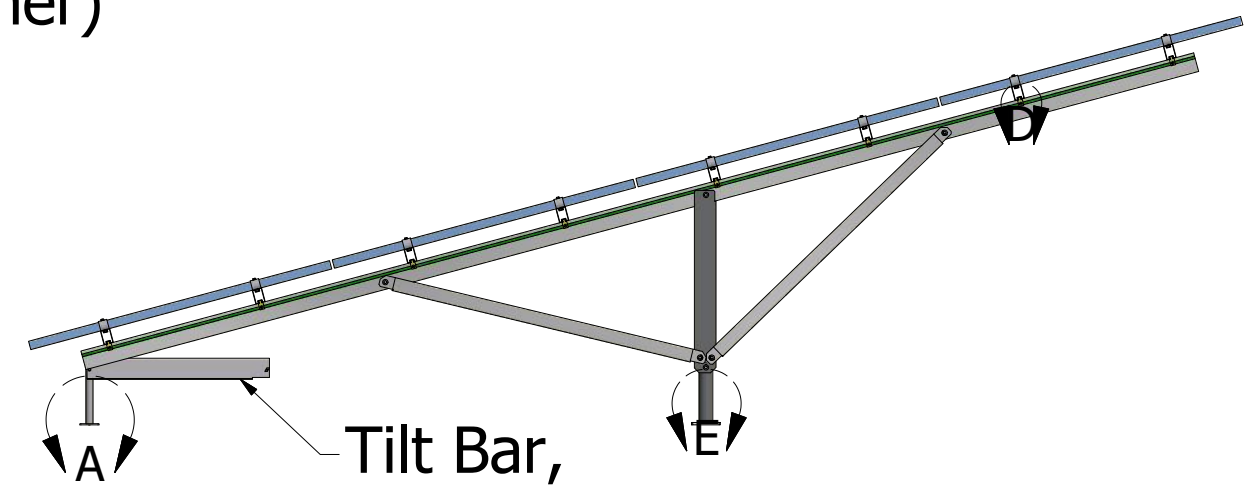
CSS-24 Tilttable Rack



10'-0"
72-144 Range

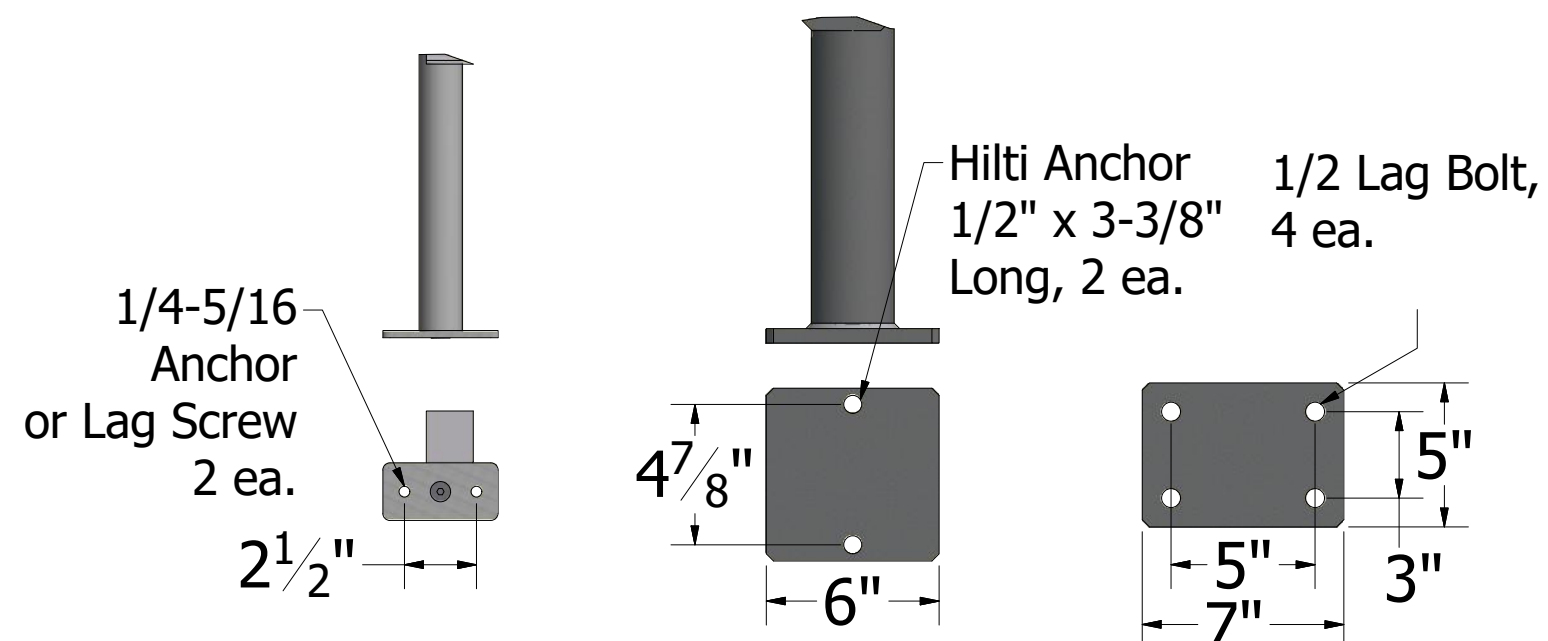


C-Clamp (Outer) Waffle Clamp (Inner)



Tilt Bar,
2 ea.

End Post Concrete Roof Glulam Roof



ISA Corporation
 3213 Whipple Road, Union City, CA 94587
 Tel: 510-324-3755 Fax: 510-324-3701
 Email: info@isa-corporation.com
 Website: www.isa-corporation.com